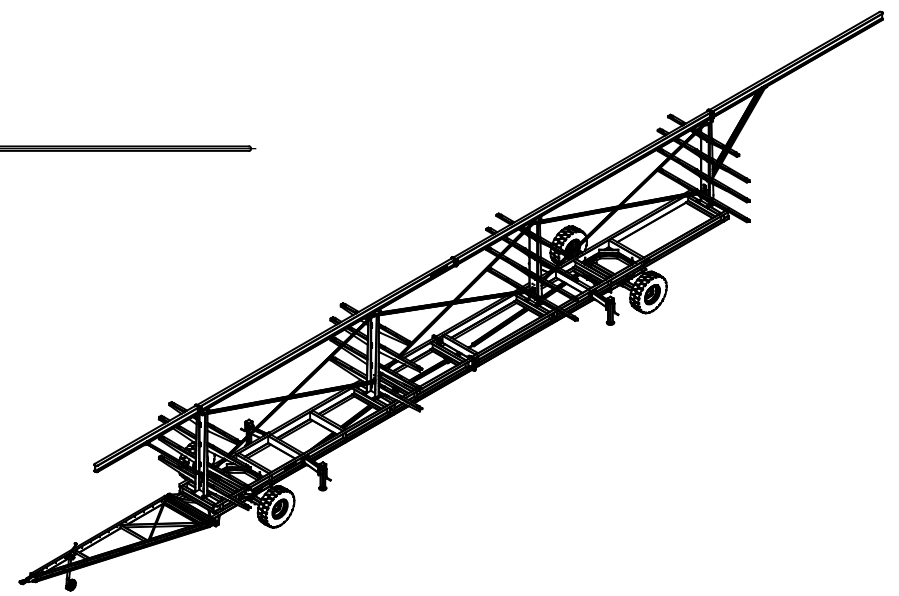
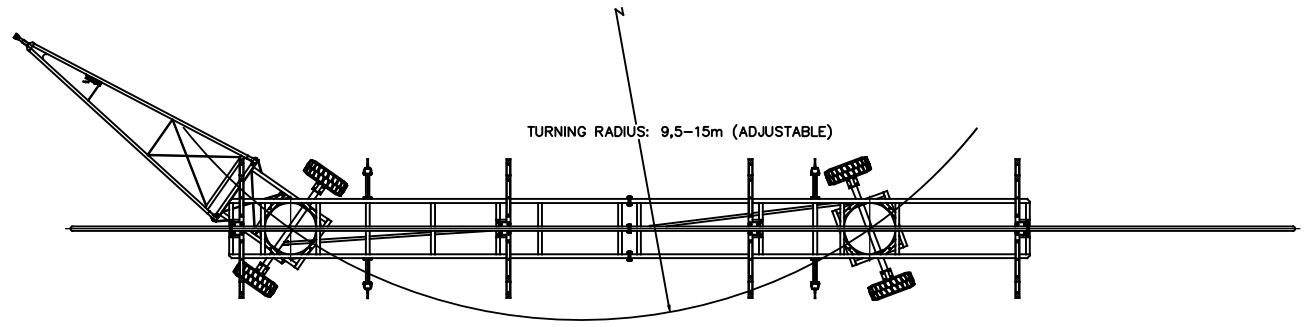


1050 (MAX HEIGHT ACQUIRED WITH THE SUPPORT WHEEL)



The information in this document is for general information only. It is not intended for use in any specific project. It is the property of STRETEC s.p.a. and its use is restricted to the project for which it was prepared. It is not to be used for any other purpose without the written consent of STRETEC s.p.a.